**VEHICLE TYPE**

HINO SERIE 300 MODEL 716-816

TRANSMISSION CODE

RE 61 (6,370) - RE 62 AMT

This side-mounted PTO transmission mounted in the main transmission. The PTO gear proportionally transmits the power received from the main transmission to the output through the gears in the transmission.

The equipment output is compatible with ISO (DIN 5462) 4 Bolt pump output.

If requested, SAE -B / BB, UNI and Coupling output can also be provided.

Activation/deactivation with electrical control mechanism.

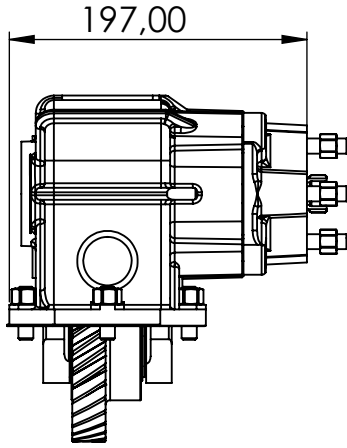
It is a type of PTO that makes a CW.

TECHNICAL VALUES

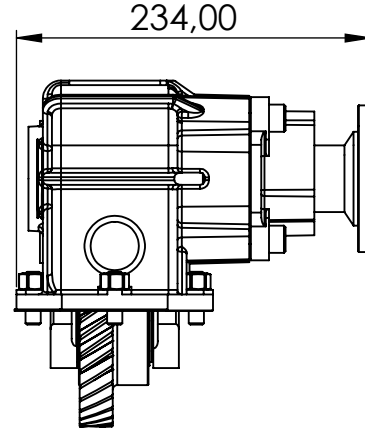
	MAX VALUES	RATIO	WORKING RPM RANGE (MAX)
	33kW-315Nm-232 lbs.ft	1/1,22	

* Output Power ; The rpm and output power may vary. Contact Kozmaksan for exact working values.

Optimum Working Temperature	25-80°C	WEIGHT	8 Kg-17,6 lbs
Short-term Working Temperature	80-90°C	BODY MATERIAL	GE G-AISI10Mg US A-360 TR Etial-171
Risky Working Temperature	Over 90°C	OIL TYPE & AMOUNT	

Output Options


Connection Type	ISO-->KF
Kw-Nm Values	23.6Kw - 225Nm



Connection Type	ISO-->COUPLING
Kw-Nm Values	33Kw - 315Nm

COUPLING OPTIONS

C06-045	C06-076	C06-082
ISO 7647-SAE 1300x4x10	ISO 7646-100x6x8	ISO 7647 - SAE 1100x4x8